



**Frost Inc.**

2020 Bristol NW  
Grand Rapids, MI 49504 USA  
telephone: +1.800.783.6633 | fax: +1.616.453.2161 | www.frostinc.com | frost.sales@frostinc.com

# Frost 160 Series



## Specifications

6" Inverted Conveyor*	
Up to 8,000 Pounds Capacity	
Standard Horizontal Turn Radius	36"
Standard Horizontal Turn Angles	30°, 60°, and 90°
Standard Vertical Curve Radius	240"
Standard Vertical Angle	30°

## Load Capacity

	Single Trolley	Two Trolleys	Three Trolleys
6" Inverted	4,000	8,000	8,000

\* Load capacity noted is for level systems only. For load capacity of non-level systems, please contact a Frost Inc. sales engineer.

Call 800.783.6633 or  
email sales.frost@frostinc.com

## Don't See What You Need?

Frost recognizes that all systems are unique. We are well positioned to modify our trolleys to meet your system configuration. We can offer different wheel shavings, a variety of lubrications, and any other modification to meet your needs. Our engineers have not only the experience but also the creativity to help address your most challenging problems. We look forward to working with you on your next project.

Call 800.783.6633 or  
email sales.frost@frostinc.com

## Frost Inverted Power and Free Trolleys are Compatible with WEBB Six Inch Systems

Frost Inc. is a full service design, engineering, and manufacturing company. Frost Inc. has been in existence since 1915 and is the industry leader for the power and free conveyor components. We are an American company that has remained in the same family for over 100 years and is in the 4th generation of family leadership. Our customers know that Frost is synonymous with customer focused solutions, quality products, and excellent attention to detail.



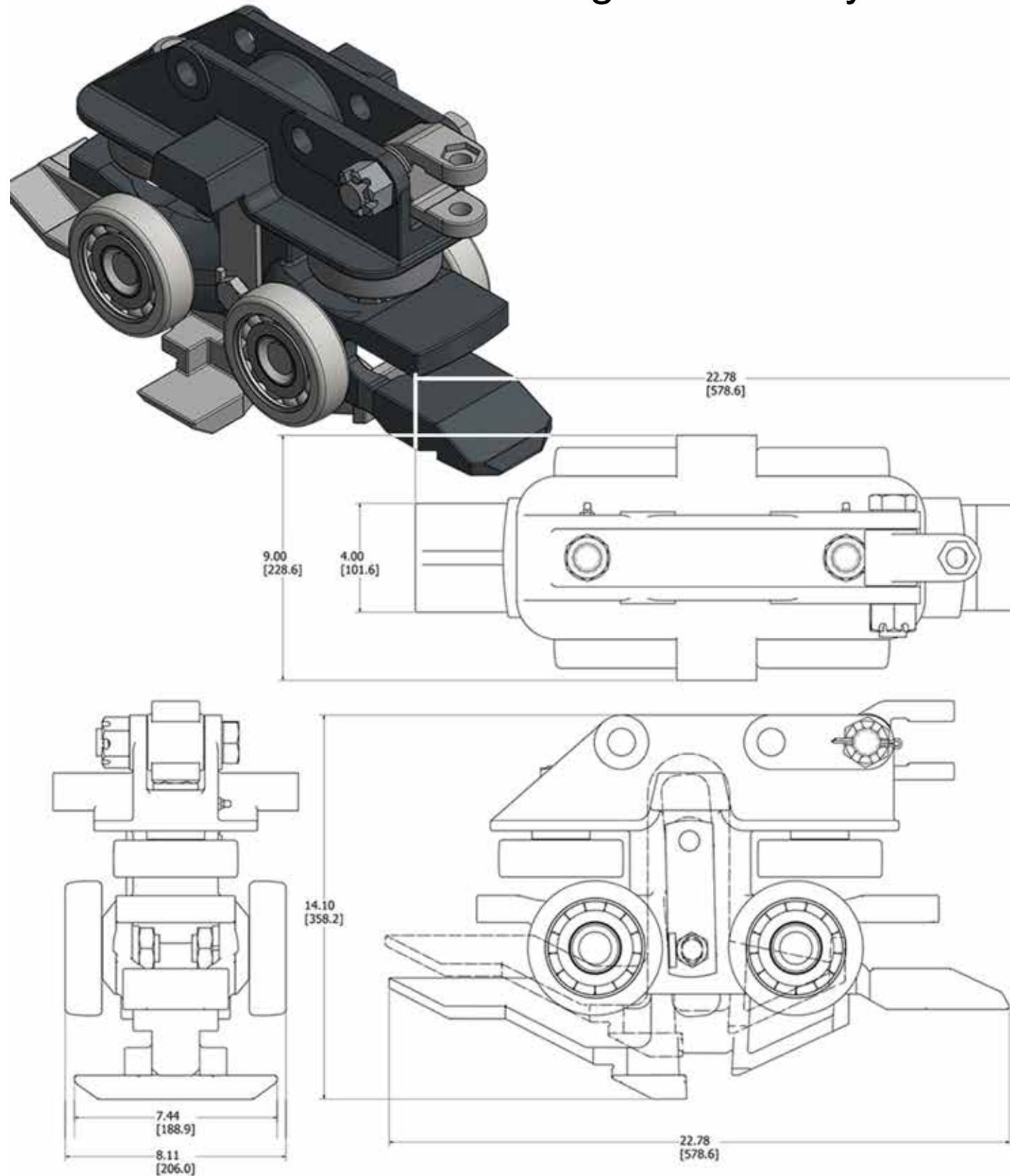
**Frost Inc.**

2020 Bristol NW  
Grand Rapids, MI 49504 USA  
telephone: +1.800.783.6633 | fax: +1.616.453.2161 | www.frostinc.com | frost.sales@frostinc.com



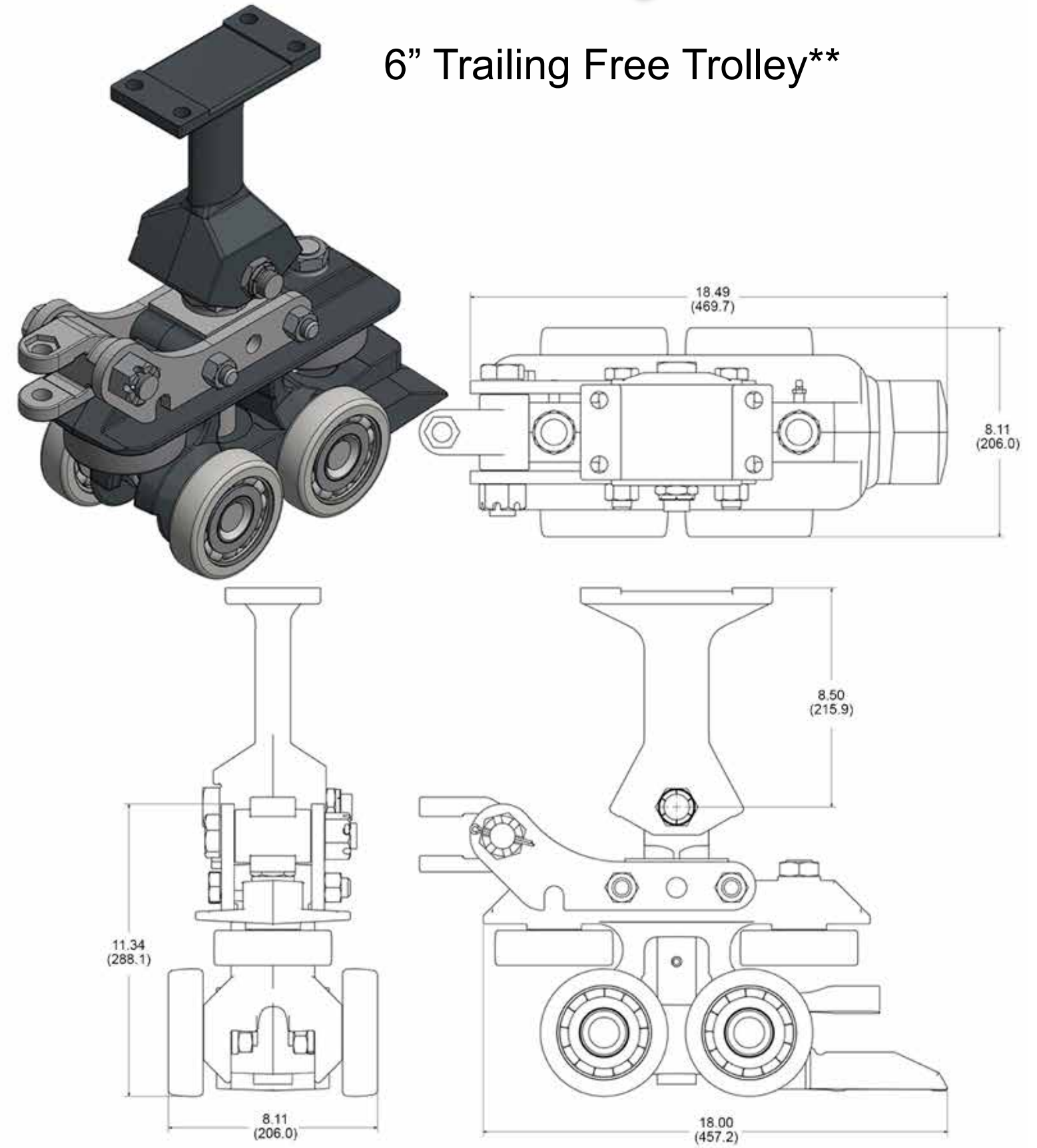
# Frost 160 Series are Compatible with WEBB 6" Systems

6" Leading Free Trolley



Frost part number 160000

6" Trailing Free Trolley\*\*



Frost part number 160100 \*\*Can be utilized as an intermediate trolley if needed.